

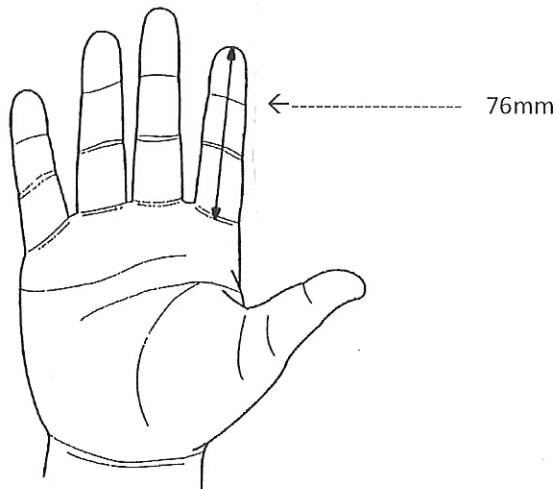


30 Montgomery St. Ste. 690 | Jersey City, NJ 07302 | T: 866-491-TECH | F: 201-706-8131 | protech8.com

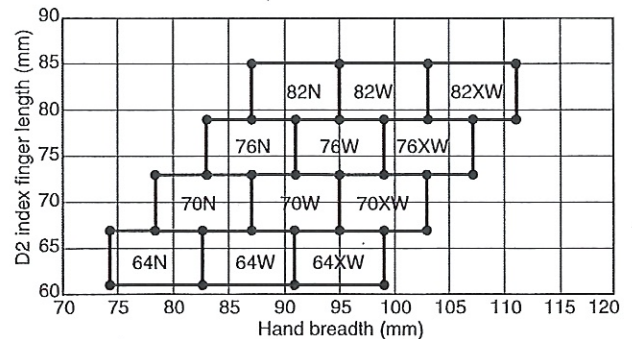
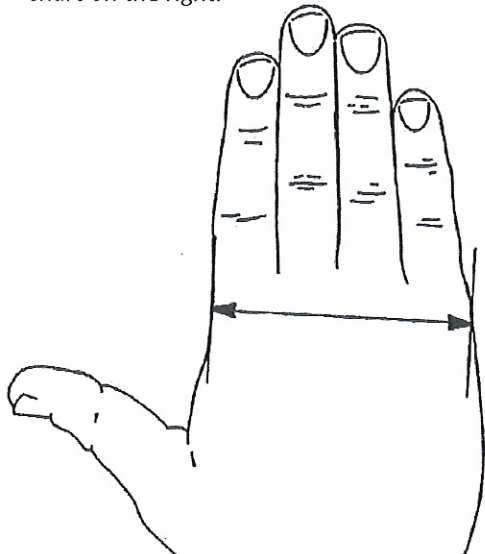
SIZING GUIDELINES USING THE NEW 2018 NFPA SIZING CONVENTION

The new NFPA 1971 Standard on Protective Ensembles for Structural Firefighting and Proximity Firefighting, 2018 has introduced mandatory numerical sizing (64-82) in two widths, narrow (N) and wide (W).

To determine the best size and fit, measure your index finger from the palm crease to the tip in millimeters and this will give you the closest numerical size. The below diagram shows where to measure and in this example the glove size would be a 76.



Now measure across the top of your knuckles as shown below and find the corresponding size/width based on the chart on the right.



For U.S. units, 1 mm = 0.394 in.



30 Montgomery St. Ste. 690 | Jersey City, NJ 07302 | T: 866-491-TECH | F: 201-706-8131 | protech8.com

The above charts and diagrams can be found in the NFPA 1971:2018 Standard.

The following 7 sizes are required by the NFPA and are loosely equivalent to the alpha sizes for previous Pro-Tech 8 models listed below them. Please keep in mind that the sizes are different and the best way to determine your new size is to follow the instruction above.

64N	70N	70W	76N	76W	82N	82W
XS	S	M	M/L	L/XL	XL	XXL

Contact us at info@protech8.com or your local distributor for more information or questions.